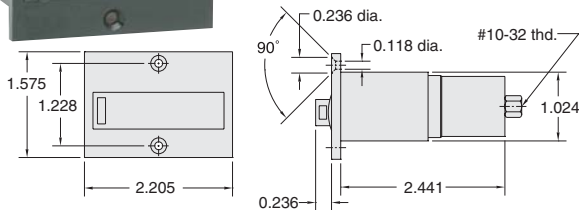


## Pneumatic Totalizing Counter



This unit is a 6-digit pneumatic totalizing counter, designed for panel mounting. Its operation is identical to that of the PT-15M, but in a different physical arrangement. Both units may be reset manually or by a pneumatic impulse. Operating pressure range is extremely wide (30 to 120 psig).



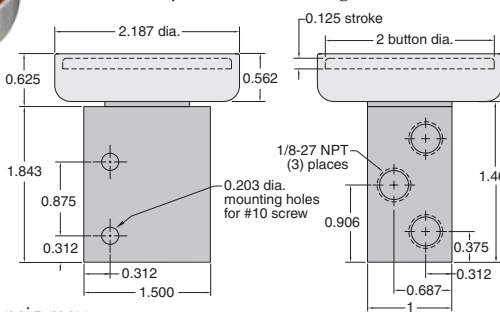
- Display:** 6 figures, numerals 0.080" to 0.160"
- Medium:** Filtered compressed air containing no oil
- Reset:** Manual push button and pneumatic spring return
- Input Pressure:** 30 to 120 psig
- Mounting:** Panel mount

Part No.	Description
<b>PT-2PM</b>	<b>Pneumatic Totalizing Counter, 6-Digit</b>

## 3-Way Poppet Palm Button Valves



3-Way Poppet (MAV-3C) Normally-Closed - Bubble Tight Poppet Cartridge Valve (- replaceable cartridge)



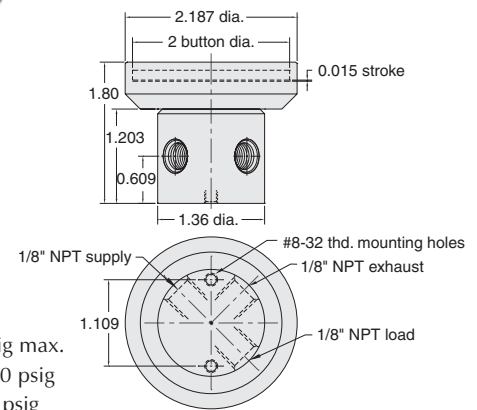
- Medium:** Air
- Stem Travel:** 1/8"
- Input Pressure:** 100 psig max.
- Air Flow:** 3.5 scfm @150 psig; 6.0 scfm @100 psig
- Force to Actuate:** 1.75 lb. manual
- Ports:** 1/8" NPT - exhaust may be muffled or piped away but NOT restricted
- Mounting:** Mounting holes provided; optional Bracket Kit #12959 provides additional mounting versatility; valve available with anodized color buttons

Part No.	Description
<b>PB-1-RD</b>	<b>3-Way Poppet Poppet Valve, Red</b>
<b>PB-1-GN</b>	<b>3-Way Poppet Poppet Valve, Green</b>
<b>PB-1-BK</b>	<b>3-Way Poppet Poppet Valve, Black</b>
<b>12959</b>	<b>90° Mounting Bracket Kit (shown below)</b>

## Low Force 3-Way Palm Button Valves



3-way low force poppet valve; Normally-Closed; depressing button blocks the sensing port causing rapid valve opening



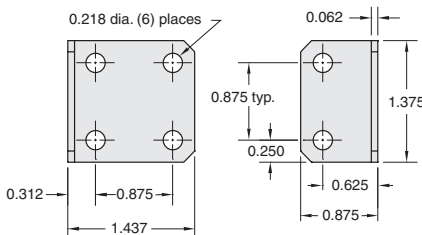
- Medium:** Air
- Input Pressure:** 100 psig max.
- Air Flow:** 22 scfm @100 psig
- Bleed:** 0.1 scfm @ 100 psig
- Force to Actuate:** 1 oz. manual
- Mounting:** Mounting holes provided; optional Bracket Kit #2010-50 provides additional mounting versatility; valve available with anodized color buttons

Part No.	Description
<b>PB-2-RD</b>	<b>Low Force 3-Way Poppet Valve, Red</b>
<b>PB-2-GN</b>	<b>Low Force 3-Way Poppet Valve, Green</b>
<b>PB-2-BK</b>	<b>Low Force 3-Way Poppet Valve, Black</b>
<b>2010-050</b>	<b>Mounting Bracket Kit (shown below)</b>

## 90° Mounting Bracket



90° angle, heavy-duty versatile Mounting Bracket for Clippard palm button valves



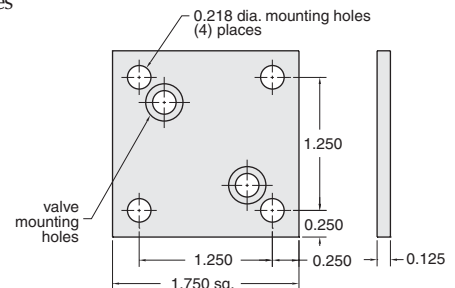
- Mounting:** Six 7/32" dia. holes on 1/8" centers for attaching valves to bracket
- Construction:** Stamped from 1/8" thick steel, zinc plated

Part No.	Description
<b>12959</b>	<b>90° Mounting Bracket Kit</b>

## Mounting Bracket



Bracket to mount 2010, 2011-1, 2012 and 2013 valves



- Black anodized finish, two mounting screws furnished

Part No.	Description
<b>2010-050</b>	<b>Mounting Bracket Kit</b>